

THIRD ANGLE PROJECTION
 ALL DIMENSIONS IN MM
 MATERIAL: BRASS
 SCALE: 10:1
 SURFACE FINISH: UNFINISHED UNLESS STATED

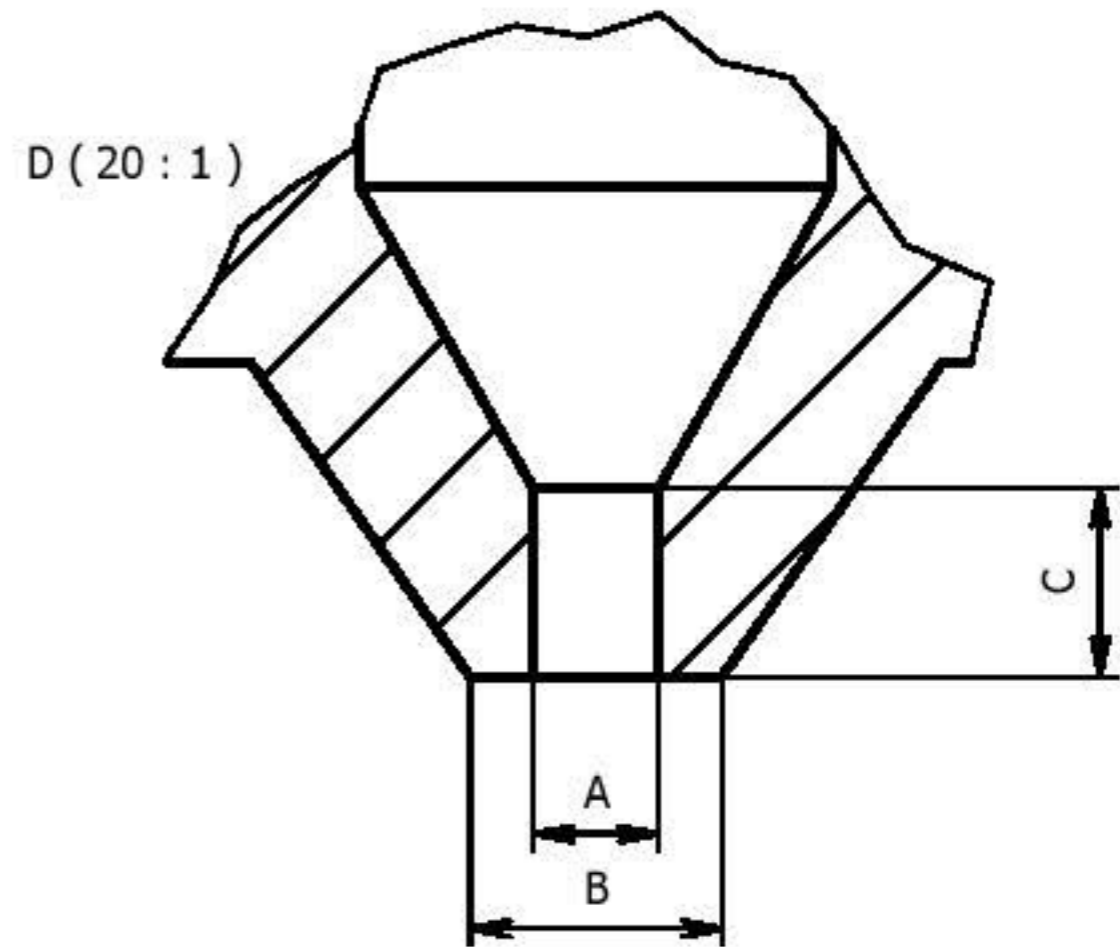
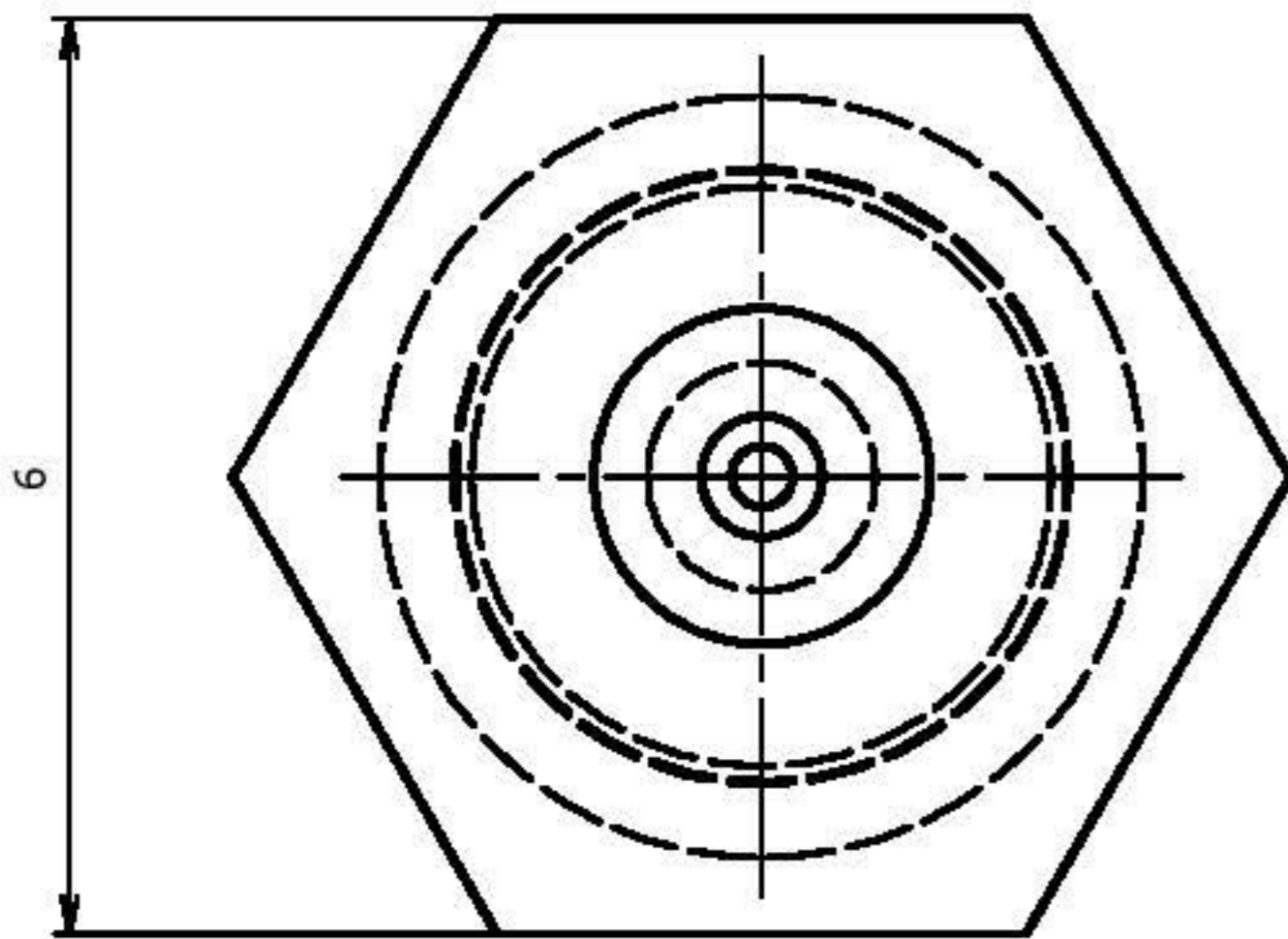
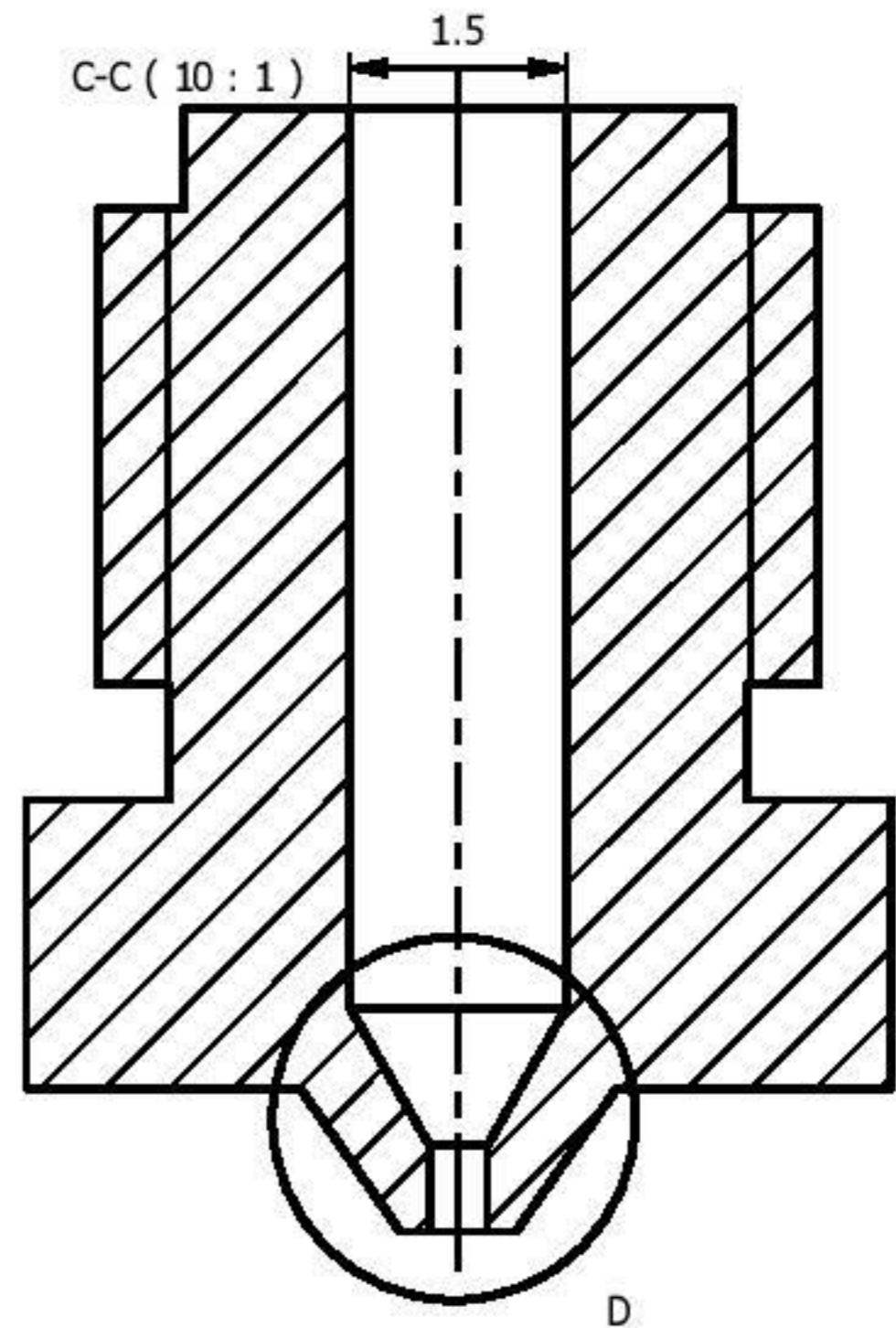
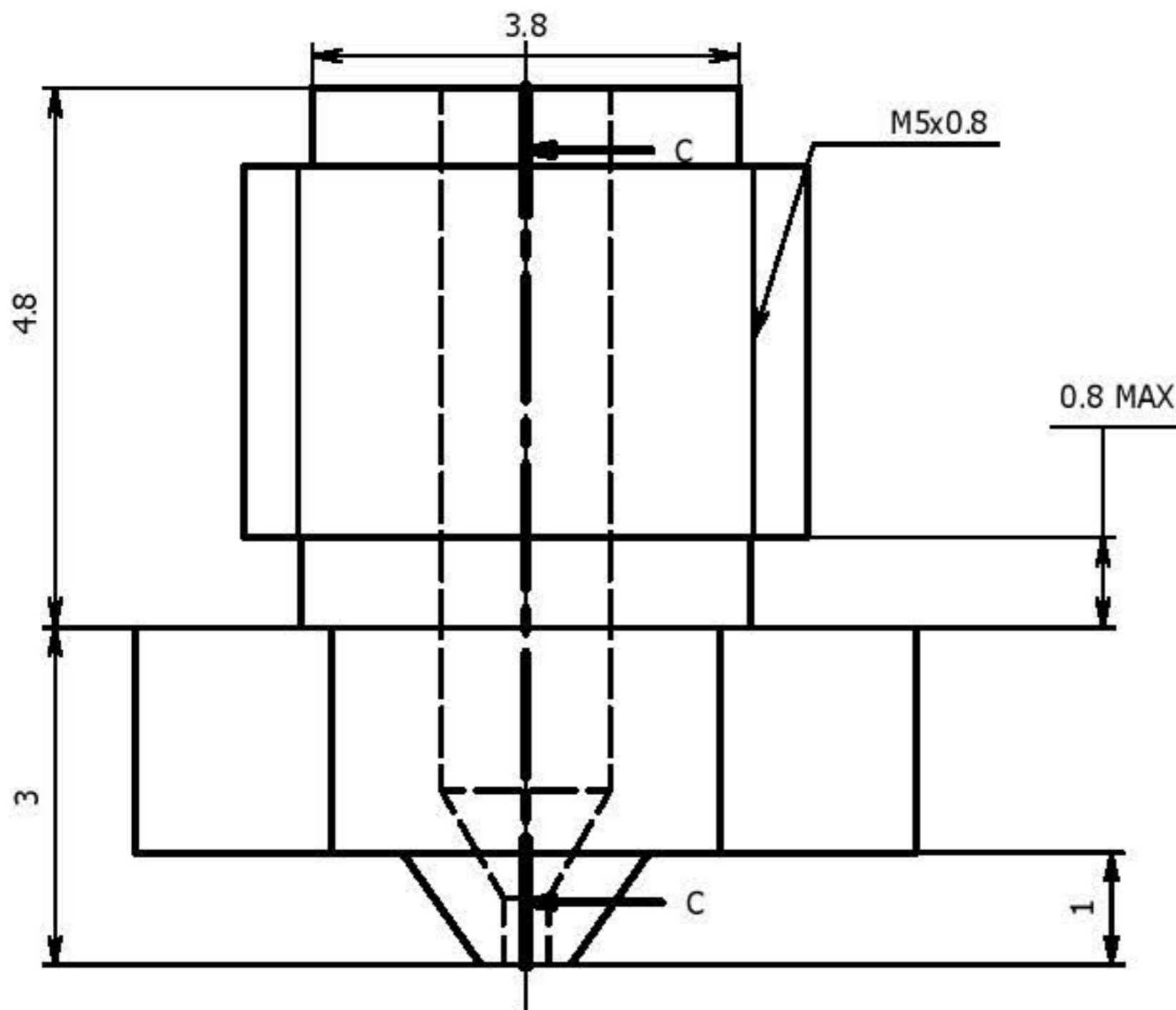



TABLE				
SKU	A	B	C	# Dots
CY-NOZZLE-250	0.25	0.50	0.38	1
CY-NOZZLE-300	0.30	0.60	0.45	2
CY-NOZZLE-350	0.35	0.70	0.53	3
CY-NOZZLE-400	0.40	0.80	0.60	0
CY-NOZZLE-500	0.50	1.05	0.80	4
CY-NOZZLE-600	0.60	1.30	1.00	5
CY-NOZZLE-800	0.80	1.80	1.40	6



This work is licenced under a Creative Commons Attribution-NonCommercial-ShareAlike 3.0 Unsupported Licence

Designed by E3D Online - JR	Checked by ST	Approved by JR	Date 27/06/2016	Date 27/06/2016
--------------------------------	------------------	-------------------	--------------------	--------------------

 E3D-ONLINE your toolkit for everything 3D printing	Cyclops Nozzle	
	CY-NOZZLE-[2-8](0 5)0	Edition 5