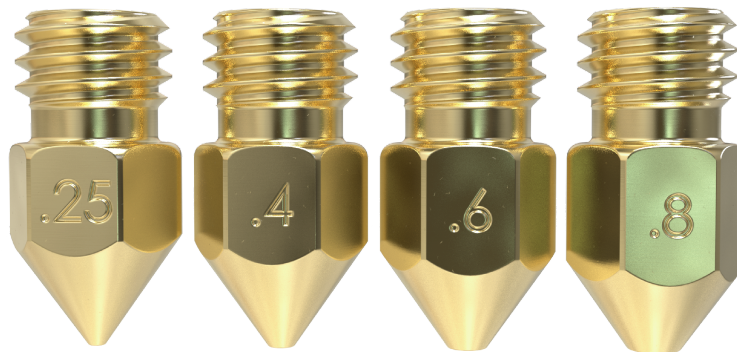


# E3D MK8 Nozzles

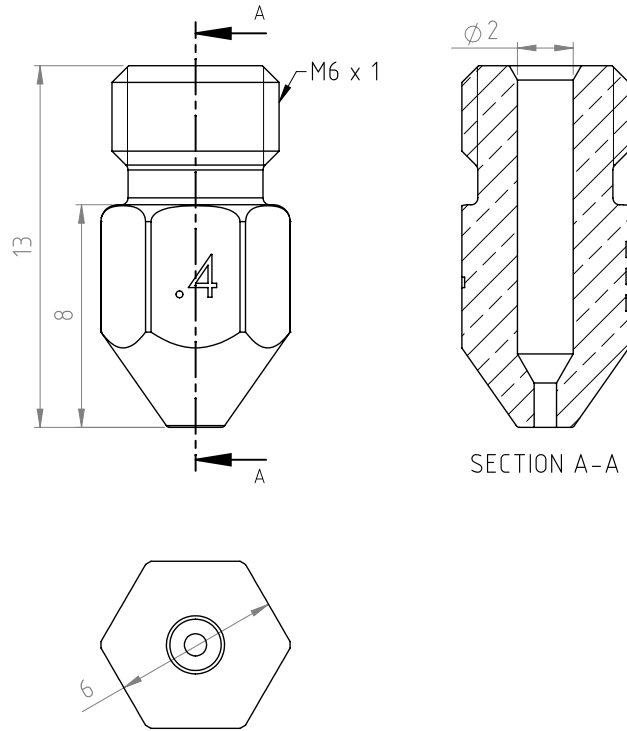
## DATASHEET



### Summary

- Compatible with: [E3D MK8 Nozzles Compatibility List](#)
- Mass: 2g
- Filament diameter: 1.75mm

## Volume and Dimensions



## Identification

Nozzles are engraved with their orifice size.

## Brass Nozzles

Diameter	Max Temperature (°C)	Abrasion Resistant?
0.25	300*	No
0.4	300*	No
0.6	300*	No
0.8	300*	No

\*Many Creality HotEnds are limited to 260 degrees. Do not exceed this.

## Changelog

Edition 1

Approved: RY 20/07/2022

Published: 12/10/2022