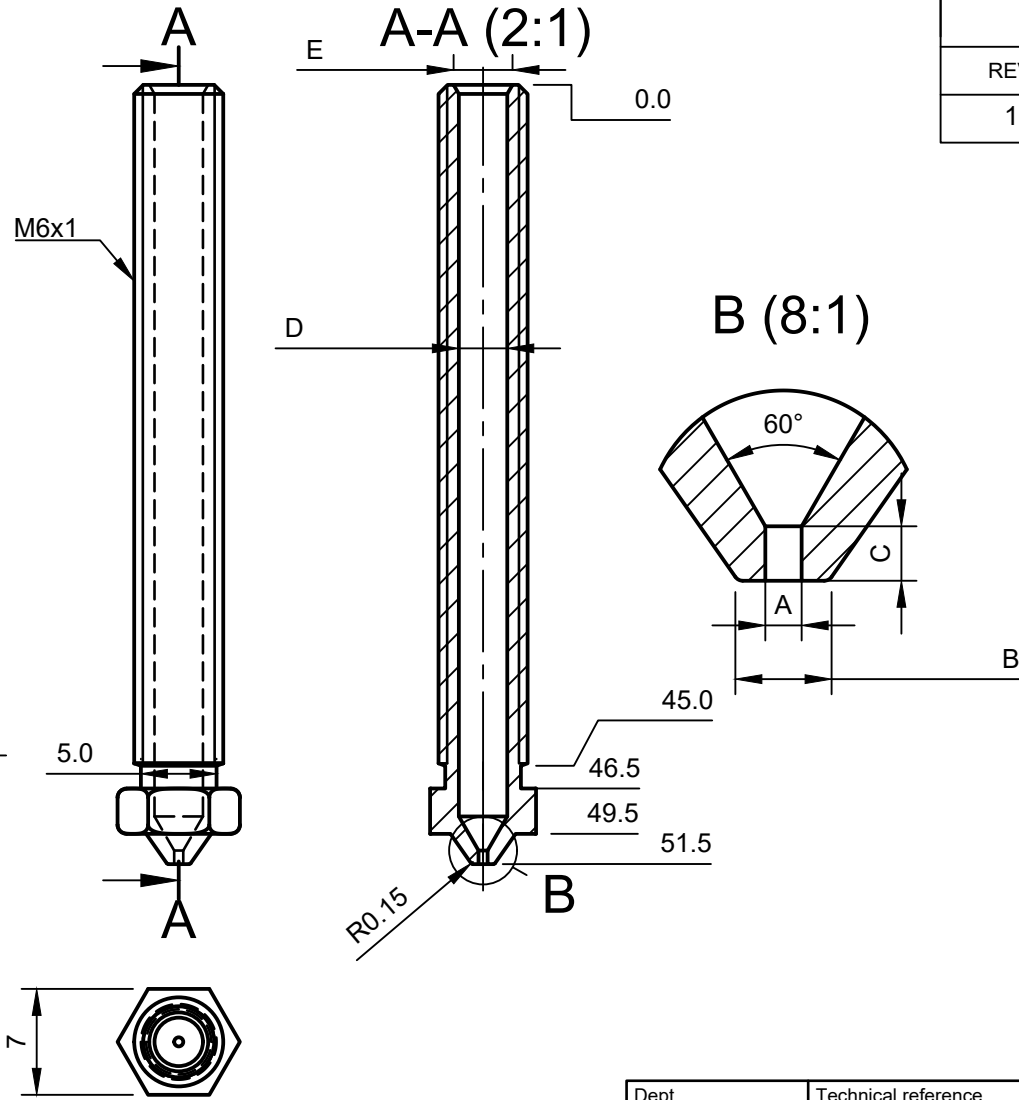


REVISION HISTORY

REV	DESCRIPTION	DATE	APPROVED
1	First Release	12/11/2018	RY

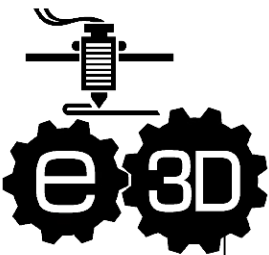


INLET GEOMETRY		
SKU CORE	D	E
-175-	2.0	2.6
-300-	3.2	3.9

TIP GEOMETRY					
SKU SUFFIX	A	B	C	D	# Dots
0600	0.60	1.50	1.20	2.00	0
0800	0.80	2.00	1.60	2.00	1
1000	1.00	2.50	2.00	2.00	2
1200	1.20	3.00	2.40	2.00	3
1400	1.40	3.50	2.80	2.00	4

THIRD ANGLE PROJECTION
 ALL DIMENSIONS IN MM
 MATERIAL: SEE TABLE
 SCALE: 2:1
 Copyright (C) E3D-Online Ltd (e3d-online.com)

These drawings are free hardware: you can redistribute it and/or modify it under the terms of the GNU General Public License as published by the Free Software Foundation, either version 3 of the License, or (at your option) any later version.

Dept. Engineering	Technical reference	Created by ST	12/11/18	Approved by RY	12/11/18
		Document type Drawing	Document status Approved		
		Title Super Volcano Nozzle	DWG No. SUPER-NOZZLE-ALL		
		Rev. 1	Date of issue 12/11/18	Sheet 1/1	