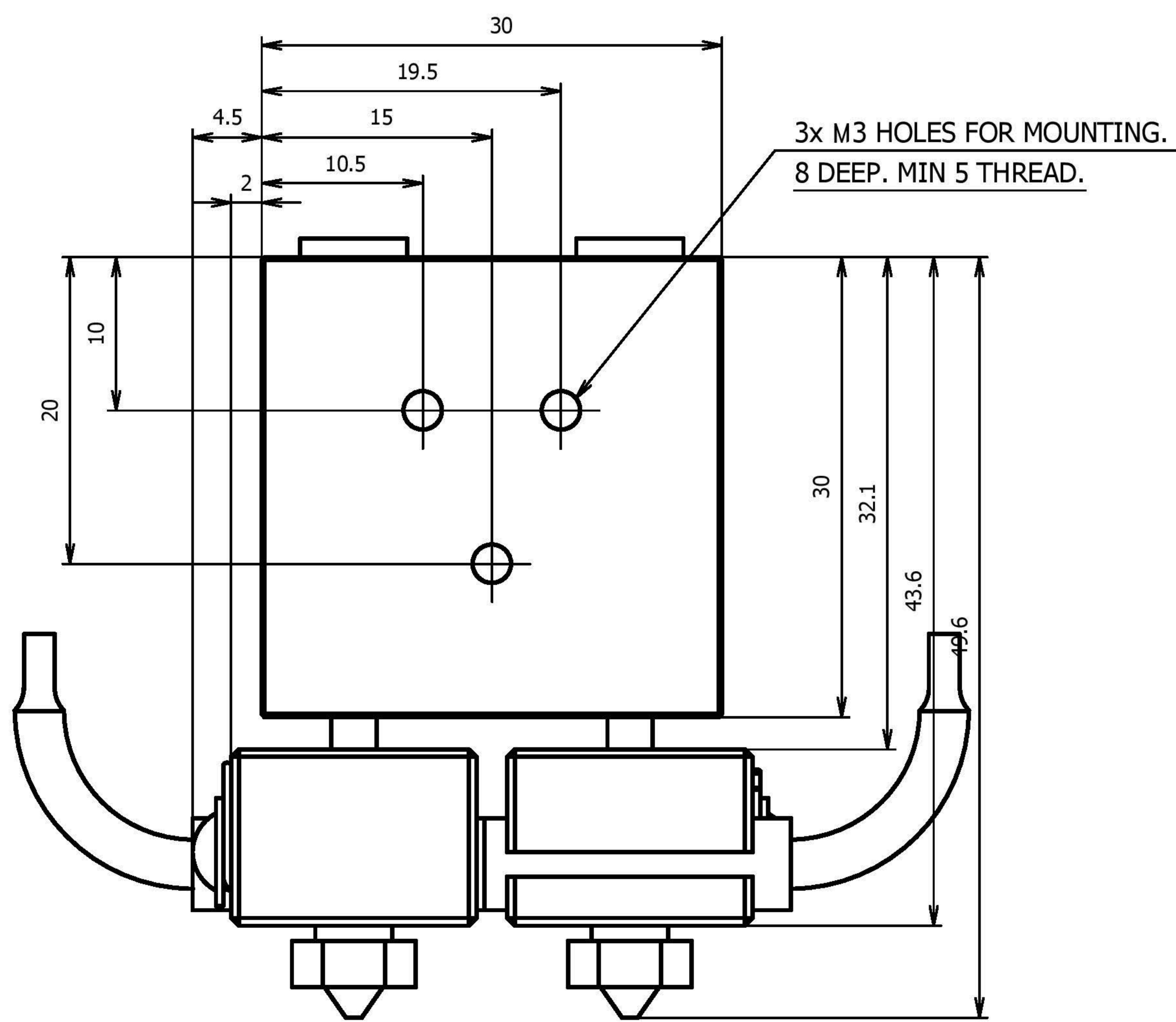
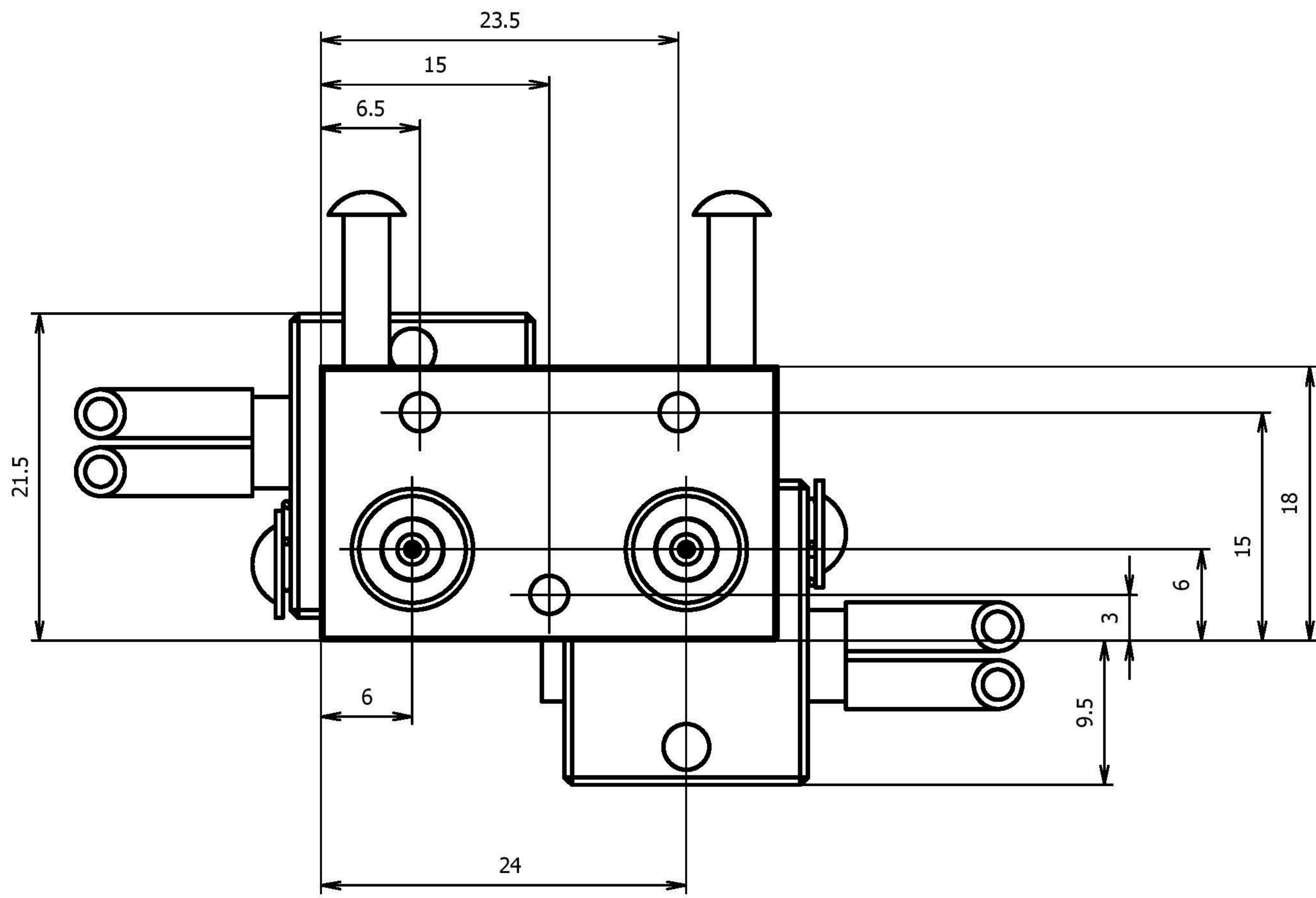
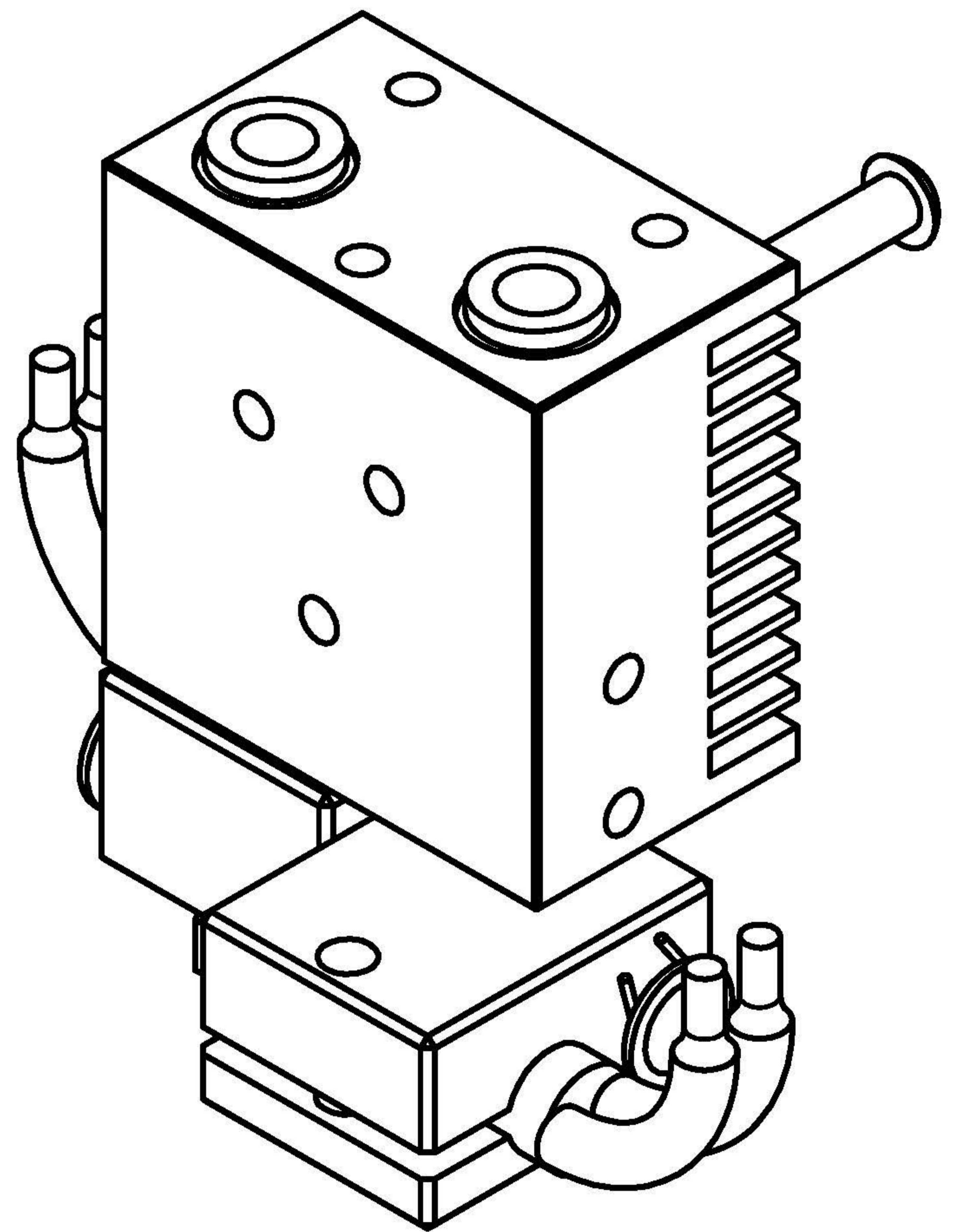


THIRD ANGLE PROJECTION
ALL DIMENSIONS IN MM


REVISION HISTORY				
ZONE	REV	DESCRIPTION	DATE	APPROVED
	1	First Issue	01/12/2014	
	2	Mounting holes moved to side	04/01/2016	



3x M3 HOLES FOR MOUNTING.
8 DEEP. MIN 5 THREAD.



This work is licensed under a Creative Commons Attribution-NonCommercial-ShareAlike 3.0 Unported License.

Designed by JR	Checked by	Approved by	Date	Date 17/11/2014
 E3D-Online		Cyclops Assembly		
CHIMERA			Edition 2	Sheet 1 / 1